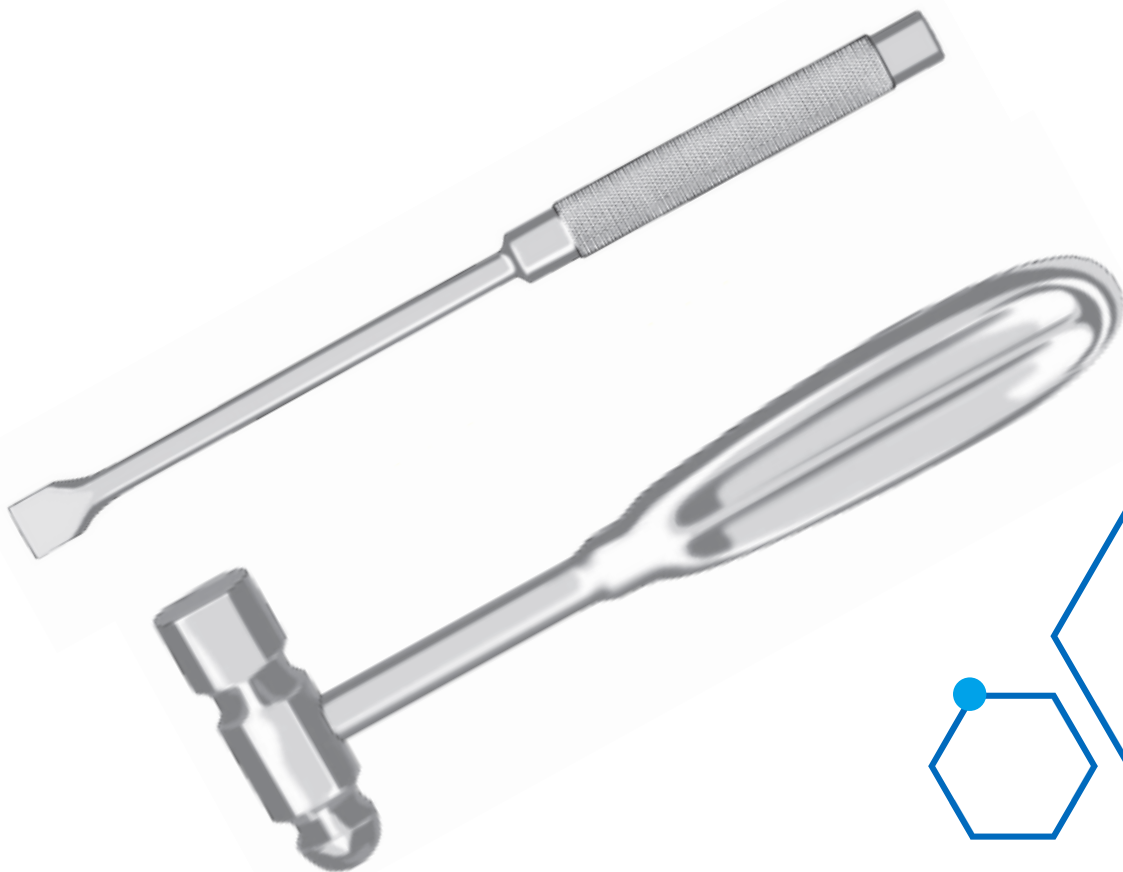




TW
Surgical

MALLET STAMPS AND IMPACTORS



**UK
CA** **CE**



TW Surgical

Treasure Wright (U.K.) Ltd.



www.twrightmedical.com

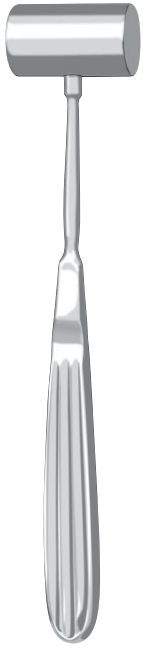


info@twrightmedical.com



TW Surgical

MALLETS



TWS 84-2030/39
7" (178mm)
solid stainless steel
weight: 4 oz. (120 grams)
head weight: 3 oz. (80 grams)
head diameter: 20mm

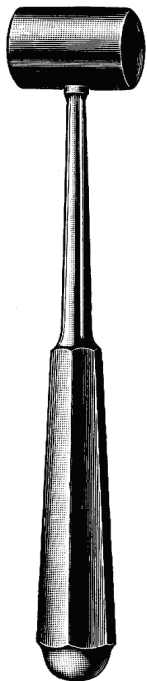
MINI Mallet



TWS 84-2030/37
7½" (191mm)
solid stainless steel
weight: 7 oz. (200 grams)
head weight: 3 oz. (80 grams)
head diameter: 19mm

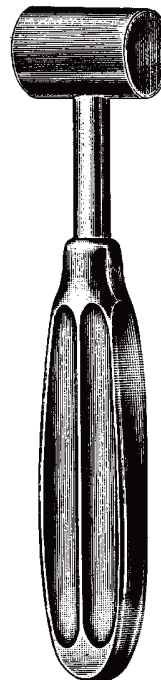
TWS 84-2030/38
8" (203mm)
brass head
stainless steel handle
weight: 9 oz. (260 grams)
head weight: 5 oz. (150 grams)
head diameter: 25mm

LUCAE BONE Mallet



TWS 84-2030/40
7¾" (195mm)
lead filled and faced
weight: 7 oz. (200 grams)
head weight: 5 oz. (150 grams)
head diameter: 22mm

Mallet #49



TWS 84-2030/41
7½" (191mm)
lead filled and faced
weight: 10 oz. (285 grams)
head weight: 7 oz. (200 grams)
head diameter: 25mm

GERZOG BONE Mallet



TW Surgical

MALLETS



Useful for hand surgery and in areas where access is limited.

Autoclavable to 290° F (143° C).

TWS 84-2030/42
8" (203mm)
with black plastic handle
weight: 7 oz. (200 grams)
head weight: 3 oz. (80 grams)
head diameter: 18mm x 18mm
(square contact surface)
7mm (round contact surface)

NARROW TIP Mallet



TWS 84-2030/43
8" (203mm)
solid stainless steel
weight: 7 oz. (200 grams)
head weight: 5 oz. (150 grams)
head diameter: 30mm

LUCAS BONE Mallet

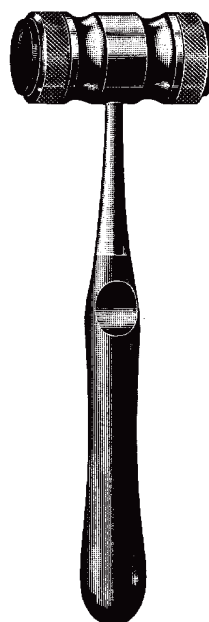


Autoclavable to 250° F (121° C).

TWS 84-2030/44
7 1/2" (191mm)
with two replaceable nylon caps
anodized aluminum handle
weight: 7 oz. (200 grams)
head weight: 4 oz. (120 grams)
head diameter: 25mm

Mallet with NYLON CAPS

Lightweight



Autoclavable to 250° F (121° C).

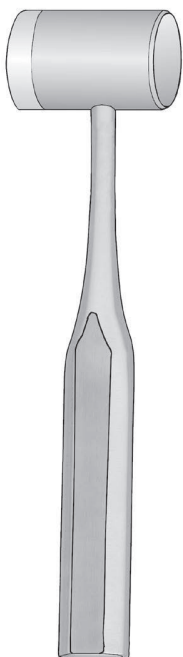
TWS 84-2030/45
7 1/2" (191mm)
with replaceable nylon caps
weight: 11 oz. (315 grams)
head weight: 6 oz. (170 grams)
head diameter: 20mm

MEAD Mallet



TW Surgical

MALLETS



Autoclavable to 250° F (121° C).

TWS 84-2030/46
7½" (191mm)
weight: 9 oz. (260 grams)
head weight: 5 oz. (150 grams)
head diameter: 26mm

TWS 84-2030/49
7½" (191mm)
weight: 12 oz. (340 grams)
head weight: 8 oz. (240 grams)
head diameter: 30mm

COMBINATION Mallet

With one nylon cap and one solid stainless side



TWS 84-2030/47
7 ½" (191mm)
weight: 8 oz. (240 grams)
head weight: 4 oz. (120 grams)
head diameter: 19mm
ball pean diameter: 16mm

TWS 84-2030/48
9" (229mm)
weight: 1 lb. (450 grams)
head weight: 8 oz. (240 grams)
head diameter: 25mm
ball pean diameter: 22mm

CLOWARD-STYLE Mallet

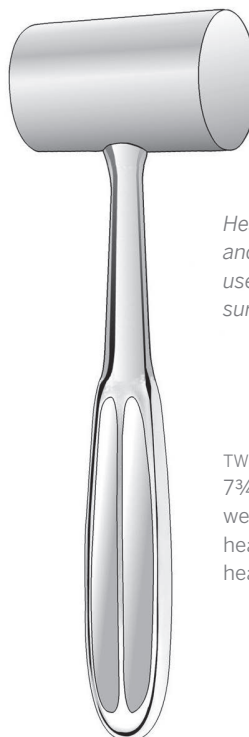
Solid stainless steel



TWS 84-2030/50
7" (178mm)
solid stainless steel
weight: 1 lb. 2oz (500 grams)
head weight: 8oz (240 grams)
head diameter: 30mm

ORTHOPEDIC Mallet

Short handle, lightweight



Head is brass filled and should only be used to strike flat surfaces.

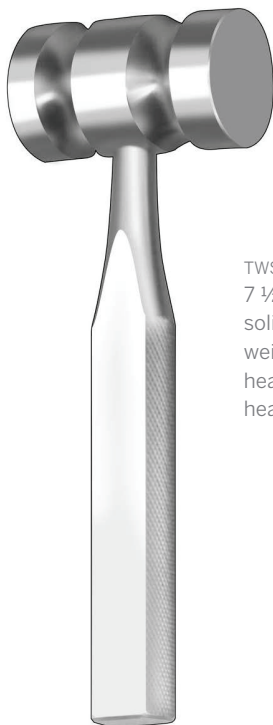
TWS 84-2030/51
7¾" (195mm)
weight: 1 lb. 7 oz. (650 grams)
head weight: 1 lb. 4 oz. (570 grams)
head diameter: 38mm

KIRK Mallet



TW Surgical

MALLETS



TWS 84-2030/52
7 ½" (191mm)
solid stainless steel
weight: 2 lbs. (900 grams)
head weight: 1 lb. 5 oz. (600 grams)
head diameter: 38mm

ORTHOPEDIC MALLET

Heavyweight, short handle



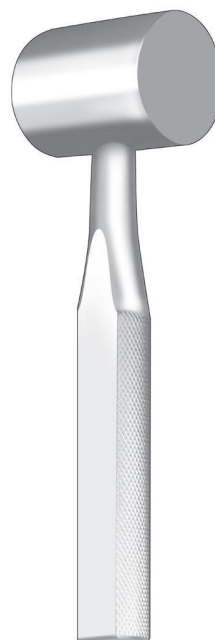
TWS 84-2030/53
9" (229mm)
aluminum alloy handle
weight: 15 oz. (420 grams)
head weight: 9 oz. (260 grams)
head diameter: 30mm

BERGMAN MALLET



TWS 84-2030/54
9 ½" (241mm)
aluminum alloy handle
weight: 1 lb. 1 oz. (470 grams)
head weight: 11 oz. (310 grams)
head diameter: 45mm

BERGMAN MALLET



TWS 84-2030/55
7 ½" (191mm)
aluminum handle
weight: 2 lbs. (900 grams)
head weight: 1 lb. 4 oz. (570 grams)
head diameter: 40mm

HEATH MALLET

Heavyweight



TW Surgical

MALLETS



Also known as dead blow mallet.

Grooved phenolic handle for comfortable grip. Autoclavable to 250° F (121° C).

TWS 84-2030/56
11 1/2" (292mm)
weight: 1 lb. 5 oz. (600 grams)
head weight: 10 oz. (285 grams)
head diameter: 32mm
dead blow mallet with black plastic handle, one nylon cap and one stainless steel side

REPROCUSSION FREE MALLET



TWS 84-2030/57
10 1/2" (267mm)
solid stainless steel
weight: 3 lbs. (1360 grams)
head weight: 2 lbs. (900 grams)
head diameter: 48mm

ORTHOPEDIC MALLET

Heavyweight



Grooved phenolic handle for comfortable and safe grip. Autoclavable to 290° F (143° C).

TWS 84-2030/58
10" (254mm)
weight: 1 lb. 11 oz. (765 grams)
head weight: 1 lb. (455 grams)
head diameter: 35mm

BLACK PLASTIC HANDLE MALLET



TWS 84-2030/59
10 3/4" (273mm)
solid stainless steel
weight: 2 lbs. (900 grams)
head weight: 1 lb. (455 grams)
head diameter: 32mm

ORTHOPEDIC MALLET

Lightweight



TW Surgical

MALLETS



Grooved phenolic handle for comfortable and safe grip. Autoclavable to 290° F (143° C).

TWS 84-2030/60
11" (280mm)
weight: 2 lbs. 9 oz. (1160 grams)
head weight: 2 lbs. (900 grams)
head diameter: 45mm

BLACK PLASTIC MALLETT



3 lb MALLETT

TWS 84-2030/61
10 1/2" (267mm) overall length
8 3/4" (222mm) knurled handle
37mm head diameter
70mm head length

5 lb MALLETT

TWS 84-2030/62
11" (280mm) overall length
8 3/4" (222mm) knurled handle
60mm head diameter
72.5mm head length



TWS 84-2030/63
9 3/4" (248mm)

WAGNER MALLETT



TWS 84-2030/64
1 pair of metal disks



TWS 84-2030/65
1 pair of plastic disks



TWS 84-2030/66
wrench



FEMORAL HEAD DRIVER

TWS 84-2030/67
6 3/4" w/removable concave nylon cap
head diameter: 38mm
lightweight aluminum handle



TWS 84-2030/68
7 5/8" overall length
overall weight: 1.7 lbs
head weight: 1.1 lbs
head diameter: 38mm
head length: 76mm

COMBINATION Mallet W/NYLON CAP



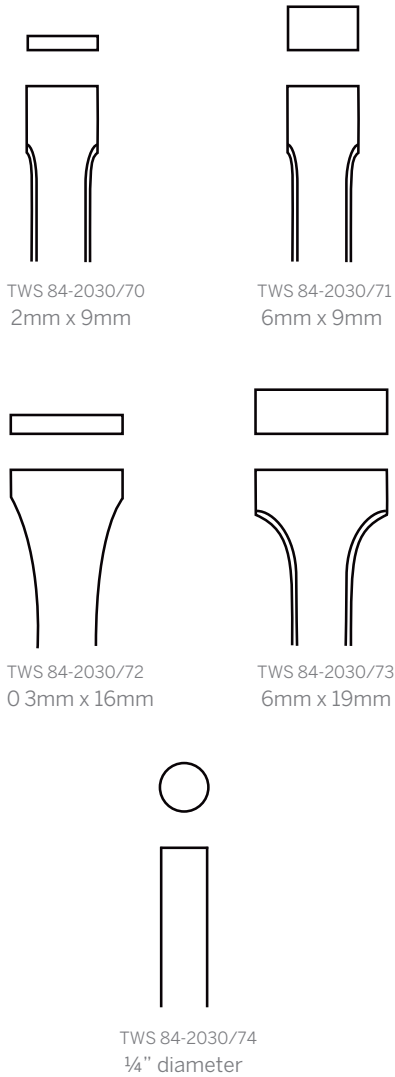
TWS 84-2030/69
9" (230mm) overall length
weight: 1lb. 7oz (700 gr)
head diameter: 40mm

BONE Mallet



TW Surgical

TAMPS



BONE CHIP PACKER
10" (254mm)



TWS 84-2030/75
17" (432mm)
stainless steel handle
3/8" diameter
.16" tip length
12.59" shaft length
4 1/4" handle length
.280" (7.1mm) shaft diameter

BONE TAMP
Endoscopic




2mm


3mm


4mm


5mm


6mm

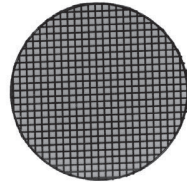
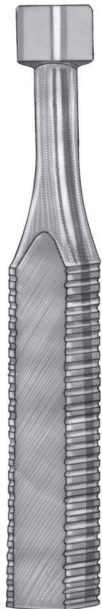

8mm


10mm

- TWS 84-2030/76 2mm diameter
- TWS 84-2030/77 3mm diameter
- TWS 84-2030/78 4mm diameter
- TWS 84-2030/79 5mm diameter
- TWS 84-2030/80 6mm diameter
- TWS 84-2030/81 8mm diameter
- TWS 84-2030/82 10mm diameter

BONE TAMP

With cross serrated tip
6" (152mm)



TWS 84-2030/83
replaceable nylon cap

Designed to tap bone graft or bone parts into place with minimal trauma to the bone. The compactor head is nylon with a grid surface to prevent slippage.

Autoclavable to 250° (121°C).

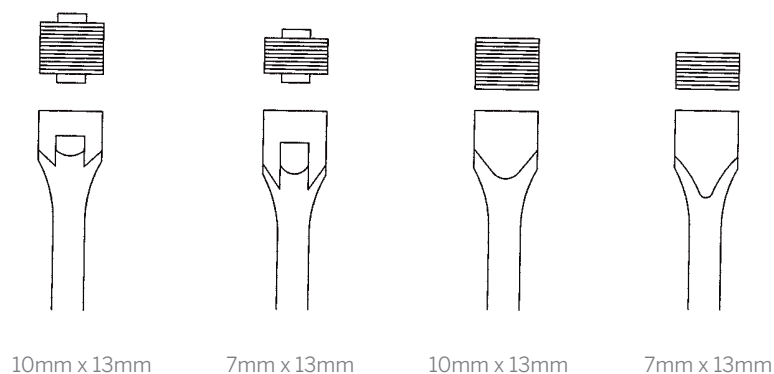
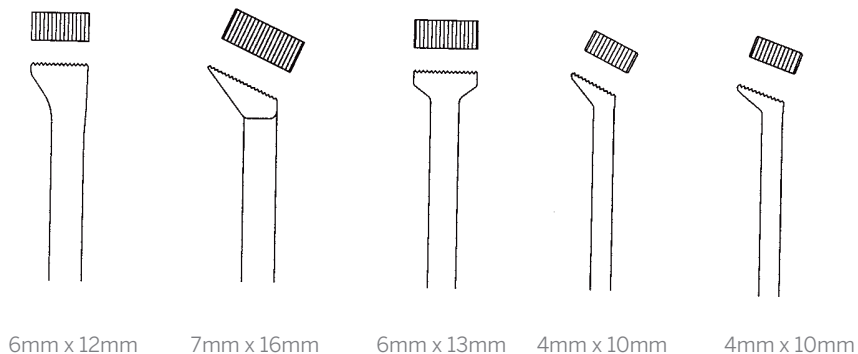
TWS 84-2030/84
6 ½" (165mm)
with replaceable nylon caps
anodized aluminum handle
head diameter: 20mm

BONE IMPACTOR



TW Surgical

TAMPS AND IMPACTORS



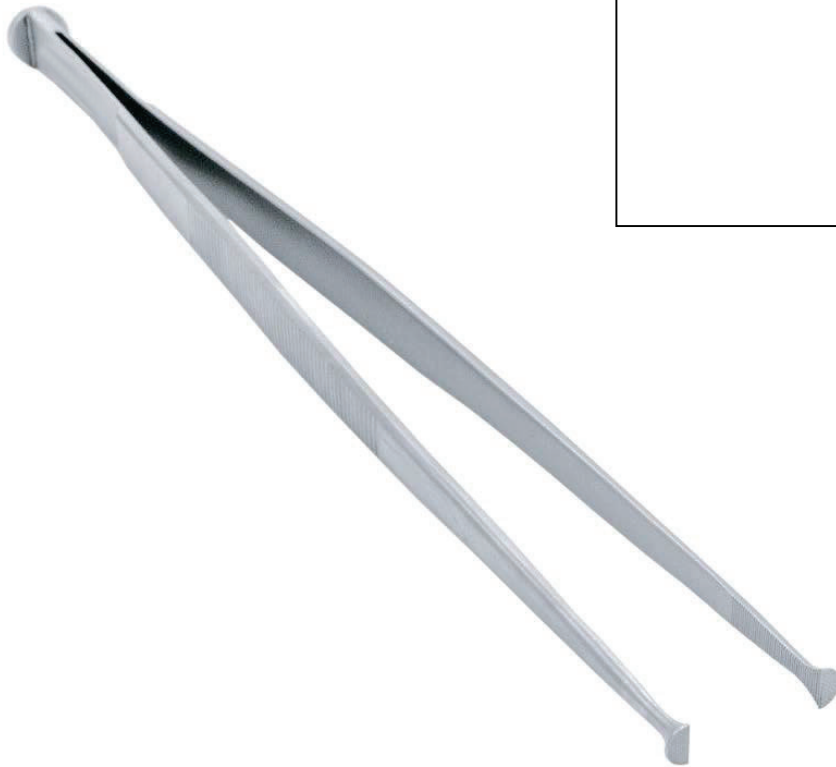
TWS 84-2030/94	8 ½"	Impactor, standard offset
TWS 84-2030/95	8 ½"	Impactor, central canal
TWS 84-2030/96	8 ½"	Impactor, lateral narrow
TWS 84-2030/97	7"	Impactor, micro offset
TWS 84-2030/98	7"	Impactor, micro lateral
TWS 84-2030/99	8 ½"	Graft Driver, lumbar, guarded
TWS 84-2031/00	8 ½"	Graft Driver, anterior, guarded
TWS 84-2031/01	8 ½"	Graft Driver, lumbar, unguarded
TWS 84-2031/02	8 ½"	Graft Driver, anterior, unguarded

LUMBAR AND CERVICAL IMPACTORS AND DRIVERS

Serrated tips

Treasure Wright (U.K.) Ltd.

128-160 City Road, London, EC1V 2NX, United Kingdom
info@twrightmedical.com



TWS 84-2031/03	Bone Graft Holder / Impactor 6" (152mm)	Serr 3.2mm 1/8"
TWS 84-2031/04	Bone Graft Holder / Impactor 6" (152mm)	Serr 4.8mm 3/16"
TWS 84-2031/05	Bone Graft Holder / Impactor 6" (152mm)	Serr 6.4mm 1/4"
TWS 84-2031/06	Bone Graft Holder / Impactor 6" (152mm)	Serr 7.9mm 5/16"
TWS 84-2031/07	Bone Graft Holder / Impactor 10" (254mm)	Serr 3.2mm 1/8"
TWS 84-2031/08	Bone Graft Holder / Impactor 10" (254mm)	Serr 4.8mm 3/16"
TWS 84-2031/09	Bone Graft Holder / Impactor 10" (254mm)	Serr 6.4mm 1/4"
TWS 84-2031/10	Bone Graft Holder / Impactor 10" (254mm)	Serr 7.9mm 5/16"

BONE TAMP

With cross serrated tip
6" (152mm)



TW
Surgical

Treasure Wright (U.K.) Ltd.

**Address: 128-160 , City Road,
London EC1V 2NX. United Kingdom**

www.twrightmedical.com

info@twrightmedical.com



TW Surgical



**UK
CA CE**