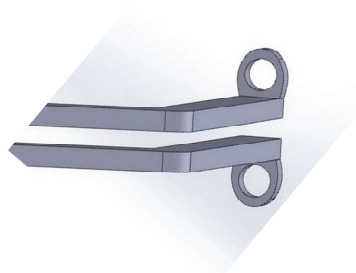
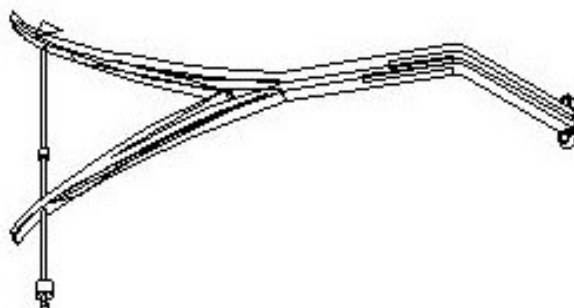
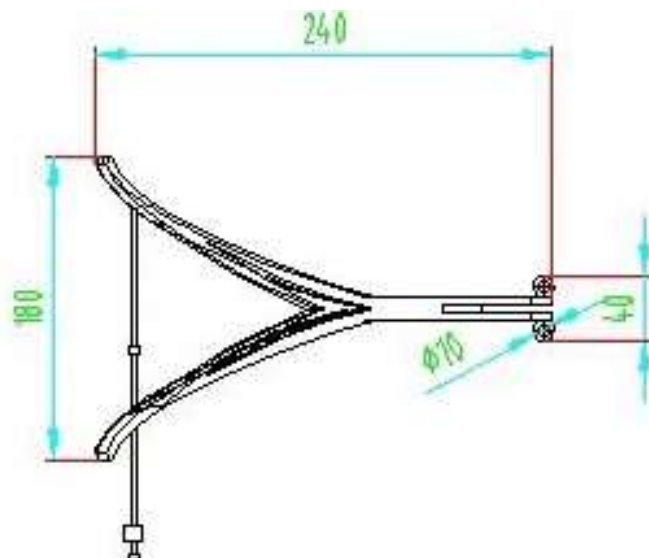




TW Surgical

Orthopaedic Instrument – Spinal Retractors

The Spinal Self Retaining Retractors are used to retract, expose or hold back tissue, muscle, organs or bone.



TWS 98-2418/4007	Spinal Deep Angle Self Retaining Retractor Deep Prong with Holding Ring 240mm Length 180mm Width 120mm Depth 7mm Diameter Hole x 40mm Width Material : Stainless Steel
------------------	---

Treasure Wright (U.K.) Ltd.

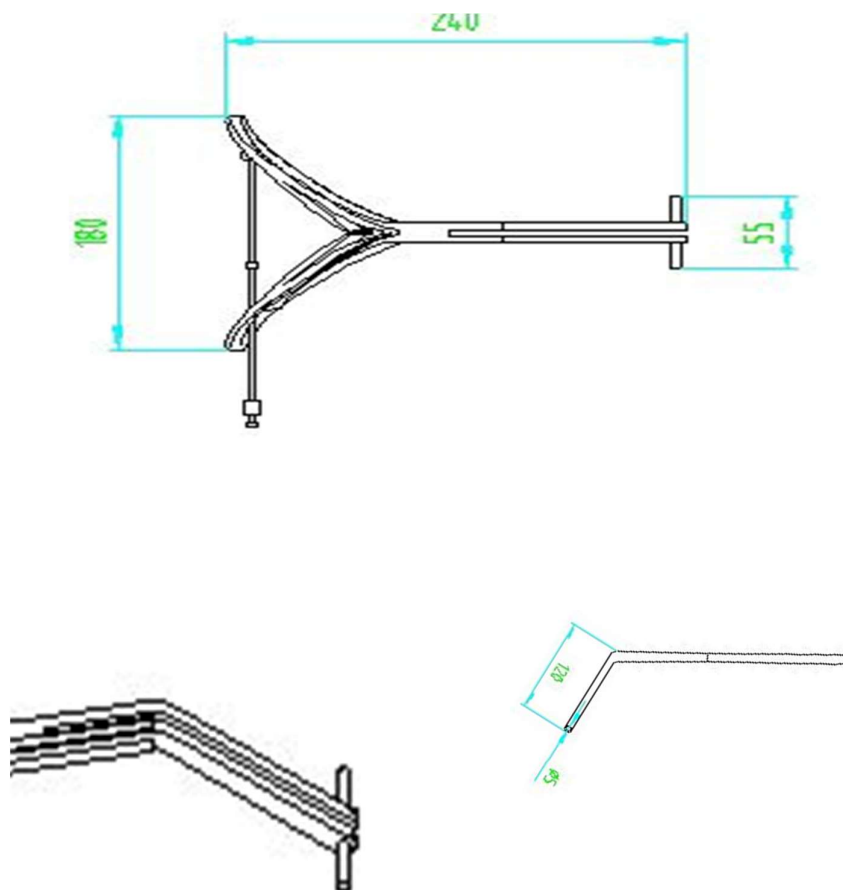
128-160 City Road, London, EC1V 2NX, United Kingdom.
info@twrightmedical.com



TW Surgical

Orthopaedic Instrument – Spinal Retractors

The Spinal Self Retaining Retractors are used to retract, expose or hold back tissue, muscle, organs or bone.



TWS 98-2418/5505	Spinal Deep Angle Self Retaining Retractor Deep Prong With Round Bar 240mm Length 180mm Width 120mm Depth 5mm Diameter Round Bar x 55mm Width Material : Stainless Steel
------------------	--

Treasure Wright (U.K.) Ltd.

128-160 City Road, London, EC1V 2NX, United Kingdom.
info@twrightmedical.com