



**TW**  
Surgical

# SPINAL – ADSON NERVE HOOKS



TW Surgical

Treasure Wright (U.K.) Ltd.



[www.twrightmedical.com](http://www.twrightmedical.com)



[info@twrightmedical.com](mailto:info@twrightmedical.com)

UK  
CA

CE



# SPINAL – ADSON NERVE HOOKS

Adson Nerve Hook is used to retract nerves but can also be used to retract the Dural layer of the meninges during craniotomies and spinal surgeries.  
 90° Working End Angle for Reaching Narrow Cavities.  
 Blunt & Sharp Profiles for Suiting All Applications.  
 Knurled Style Grip Handle Ensuring Strong Gripping



TWS 25-5230/04	Adson Nerve Hook, Sharp, 4 mm round reach, 90° Working Angle, 16.5cm (6 1/2") Length Material: Stainless Steel
TWS 25-5230/05	Adson Nerve Hook, Sharp, 5 mm round reach, 90° Working Angle, 16.5cm (6 1/2") Length Material: Stainless Steel
TWS 25-5230/06	Adson Nerve Hook, Sharp, 6 mm round reach, 90° Working Angle, 16.5cm (6 1/2") Length Material: Stainless Steel
TWS 25-5230/07	Adson Nerve Hook, Sharp, 7mm round reach, 90° Working Angle, 16.5cm (6 1/2") Length Material: Stainless Steel

# SPINAL – ADSON NERVE HOOKS

Adson Nerve Hook is used to retract nerves but can also be used to retract the Dural layer of the meninges during craniotomies and spinal surgeries.  
90° Working End Angle for Reaching Narrow Cavities.  
Blunt & Sharp Profiles for Suiting All Applications.  
Knurled Style Grip Handle Ensuring Strong Gripping



TWS 25-5230/08	Adson Nerve Hook, Sharp, 8mm round reach, 90° Working Angle, 16.5cm (6 1/2") Length Material: Stainless Steel
TWS 25-5230/09	Adson Nerve Hook, Sharp, 9mm round reach, 90° Working Angle, 16.5cm (6 1/2") Length Material: Stainless Steel
TWS 25-5230/10	Adson Nerve Hook, Sharp, 10mm round reach, 90° Working Angle, 16.5cm (6 1/2") Length Material: Stainless Steel
TWS 25-5230/11	Adson Nerve Hook, Sharp, 11mm round reach, 90° Working Angle, 16.5cm (6 1/2") Length Material: Stainless Steel

# SPINAL – ADSON NERVE HOOKS

Adson Nerve Hook is used to retract nerves but can also be used to retract the Dural layer of the meninges during craniotomies and spinal surgeries.  
 90° Working End Angle for Reaching Narrow Cavities.  
 Blunt & Sharp Profiles for Suiting All Applications.  
 Knurled Style Grip Handle Ensuring Strong Gripping



TWS 25-5231/04	Adson Nerve Hook, Blunt, 4 mm round reach, 90° Working Angle, 16.5cm (6 1/2") Length Material: Stainless Steel
TWS 25-5231/05	Adson Nerve Hook, Blunt, 5 mm round reach, 90° Working Angle, 16.5cm (6 1/2") Length Material: Stainless Steel
TWS 25-5231/06	Adson Nerve Hook, Blunt, 6 mm round reach, 90° Working Angle, 16.5cm (6 1/2") Length Material: Stainless Steel
TWS 25-5231/07	Adson Nerve Hook, Blunt, 7mm round reach, 90° Working Angle, 16.5cm (6 1/2") Length Material: Stainless Steel

# SPINAL – ADSON NERVE HOOKS

Adson Nerve Hook is used to retract nerves but can also be used to retract the Dural layer of the meninges during craniotomies and spinal surgeries.

90° Working End Angle for Reaching Narrow Cavities.

Blunt & Sharp Profiles for Suiting All Applications.

Knurled Style Grip Handle Ensuring Strong Gripping



TWS 25-5231/08	Adson Nerve Hook, Blunt, 8mm round reach, 90° Working Angle, 16.5cm (6 1/2") Length Material: Stainless Steel
TWS 25-5231/09	Adson Nerve Hook, Blunt, 9mm round reach, 90° Working Angle, 16.5cm (6 1/2") Length Material: Stainless Steel
TWS 25-5231/10	Adson Nerve Hook, Blunt, 10mm round reach, 90° Working Angle, 16.5cm (6 1/2") Length Material: Stainless Steel
TWS 25-5231/11	Adson Nerve Hook, Blunt, 11mm round reach, 90° Working Angle, 16.5cm (6 1/2") Length Material: Stainless Steel

# SPINAL – ADSON NERVE HOOKS

Adson Nerve Hook is used to retract nerves but can also be used to retract the Dural layer of the meninges during craniotomies and spinal surgeries.  
 90° Working End Angle for Reaching Narrow Cavities.  
 Blunt & Sharp Profiles for Suiting All Applications.  
 Knurled Style Grip Handle Ensuring Strong Gripping



TWS 25-5232/04	Adson Nerve Hook, Sharp, 4 mm round reach, 90° Working Angle, 20cm (8") Length Material: Stainless Steel
TWS 25-5232/05	Adson Nerve Hook, Sharp, 5 mm round reach, 90° Working Angle, 20cm (8") Length Material: Stainless Steel
TWS 25-5232/06	Adson Nerve Hook, Sharp, 6 mm round reach, 90° Working Angle, 20cm (8") Length Material: Stainless Steel
TWS 25-5232/07	Adson Nerve Hook, Sharp, 7mm round reach, 90° Working Angle, 20cm (8") Length Material: Stainless Steel

# SPINAL – ADSON NERVE HOOKS

Adson Nerve Hook is used to retract nerves but can also be used to retract the Dural layer of the meninges during craniotomies and spinal surgeries.  
 90° Working End Angle for Reaching Narrow Cavities.  
 Blunt & Sharp Profiles for Suiting All Applications.  
 Knurled Style Grip Handle Ensuring Strong Gripping



TWS 25-5232/08	Adson Nerve Hook, Sharp, 8mm round reach, 90° Working Angle, 20cm (8") Length Material: Stainless Steel
TWS 25-5232/09	Adson Nerve Hook, Sharp, 9mm round reach, 90° Working Angle, 20cm (8") Length Material: Stainless Steel
TWS 25-5232/10	Adson Nerve Hook, Sharp, 10mm round reach, 90° Working Angle, 20cm (8") Length Material: Stainless Steel
TWS 25-5232/11	Adson Nerve Hook, Sharp, 11mm round reach, 90° Working Angle, 20cm (8") Length Material: Stainless Steel

# SPINAL – ADSON NERVE HOOKS

Adson Nerve Hook is used to retract nerves but can also be used to retract the Dural layer of the meninges during craniotomies and spinal surgeries.

90° Working End Angle for Reaching Narrow Cavities.

Blunt & Sharp Profiles for Suiting All Applications.

Knurled Style Grip Handle Ensuring Strong Gripping



TWS 25-5233/04	Adson Nerve Hook, Blunt, 4 mm round reach, 90° Working Angle, 20cm (8") Length Material: Stainless Steel
TWS 25-5233/05	Adson Nerve Hook, Blunt, 5 mm round reach, 90° Working Angle, 20cm (8") Length Material: Stainless Steel
TWS 25-5233/06	Adson Nerve Hook, Blunt, 6 mm round reach, 90° Working Angle, 20cm (8") Length Material: Stainless Steel
TWS 25-5233/07	Adson Nerve Hook, Blunt, 7mm round reach, 90° Working Angle, 20cm (8") Length Material: Stainless Steel

# SPINAL – ADSON NERVE HOOKS

Adson Nerve Hook is used to retract nerves but can also be used to retract the Dural layer of the meninges during craniotomies and spinal surgeries.

90° Working End Angle for Reaching Narrow Cavities.

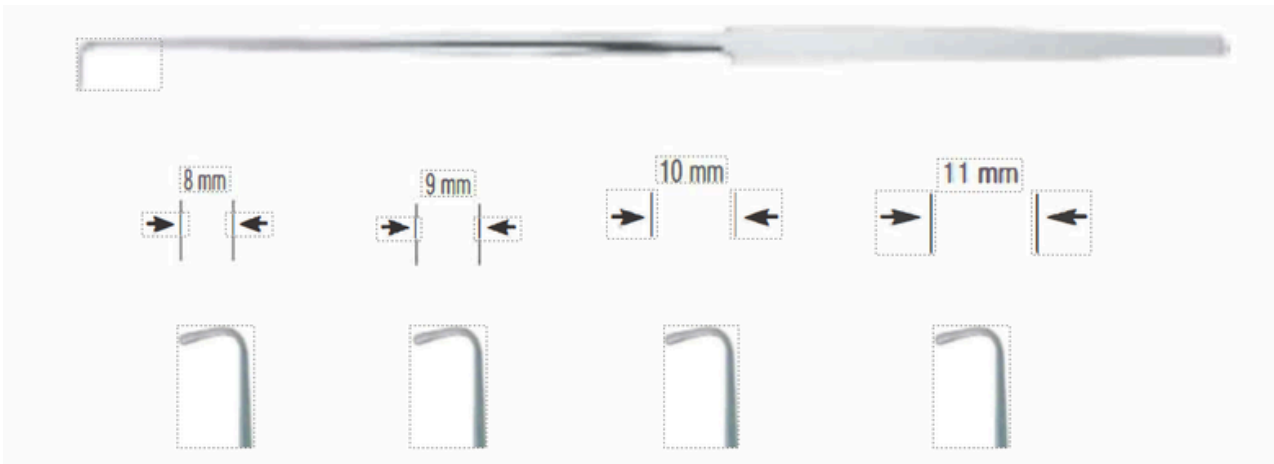
Blunt & Sharp Profiles for Suiting All Applications.

Knurled Style Grip Handle Ensuring Strong Gripping



TWS 25-5233/08	Adson Nerve Hook, Blunt, 8mm round reach, 90° Working Angle, 20cm (8") Length Material: Stainless Steel
TWS 25-5233/09	Adson Nerve Hook, Blunt, 9mm round reach, 90° Working Angle, 20cm (8") Length Material: Stainless Steel
TWS 25-5233/10	Adson Nerve Hook, Blunt, 10mm round reach, 90° Working Angle, 20cm (8") Length Material: Stainless Steel
TWS 25-5233/11	Adson Nerve Hook, Blunt, 11mm round reach, 90° Working Angle, 20cm (8") Length Material: Stainless Steel

# NERVE RETRACTORS - NERVE HOOKS FLAT NERVE HOOKS

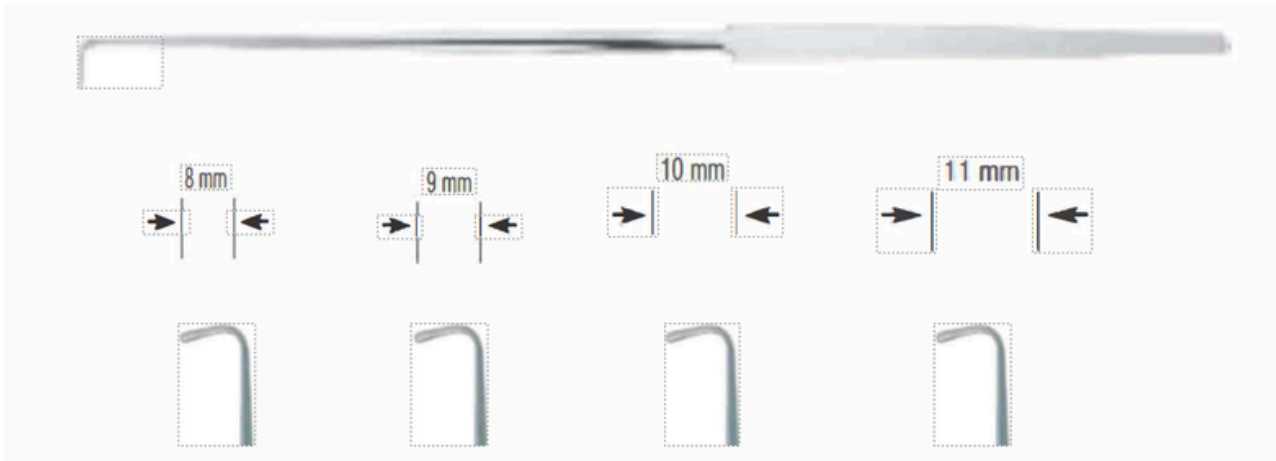


Flat Nerve Hook is a specialized surgical tool to use for elevating and broadening the edges of the dissected sites

- Flat Blunt Hook Promoting Atraumatic Retraction.
- Ergonomic Solid Handle Ensuring Superior Control.

TWS 25-5223/04	Flat Nerve Hook, Straight, Blunt, 4mm L Ended Reach width 16.5cm (6 1/2") Length Material: Stainless Steel
TWS 25-5223/05	Flat Nerve Hook, Straight, Blunt, 5mm L Ended Reach width 16.5cm (6 1/2") Length Material: Stainless Steel
TWS 25-5223/06	Flat Nerve Hook, Straight, Blunt, 6mm L Ended Reach width 16.5cm (6 1/2") Length Material: Stainless Steel
TWS 25-5223/07	Flat Nerve Hook, Straight, Blunt 7mm L Ended Reach width 16.5cm (6 1/2") Length Material: Stainless Steel

# NERVE RETRACTORS - NERVE HOOKS FLAT NERVE HOOKS



Flat Nerve Hook is a specialized surgical tool to use for elevating and broadening the edges of the dissected sites

- Flat Blunt Hook Promoting Atraumatic Retraction.
- Ergonomic Solid Handle Ensuring Superior Control.

TWS 25-5223/08	Flat Nerve Hook, Straight, Blunt, 8mm L Ended Reach width 16.5cm (6 1/2") Length Material: Stainless Steel
TWS 25-5223/09	Flat Nerve Hook, Straight, Blunt, 9mm L Ended Reach width 16.5cm (6 1/2") Length Material: Stainless Steel
TWS 25-5223/10	Flat Nerve Hook, Straight, Blunt, 10mm L Ended Reach width 16.5cm (6 1/2") Length Material: Stainless Steel
TWS 25-5223/11	Flat Nerve Hook, Straight, Blunt 11 mm L Ended Reach width 16.5cm (6 1/2") Length Material: Stainless Steel



**TW**  
Surgical

## **Treasure Wright (U.K.) Ltd.**

---

**Address: 128-160 , City Road,  
London EC1V 2NX. United Kingdom**

---

[www.twrightmedical.com](http://www.twrightmedical.com)

[info@twrightmedical.com](mailto:info@twrightmedical.com)